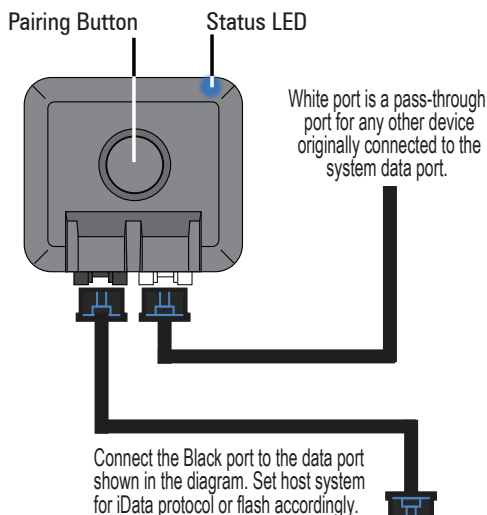


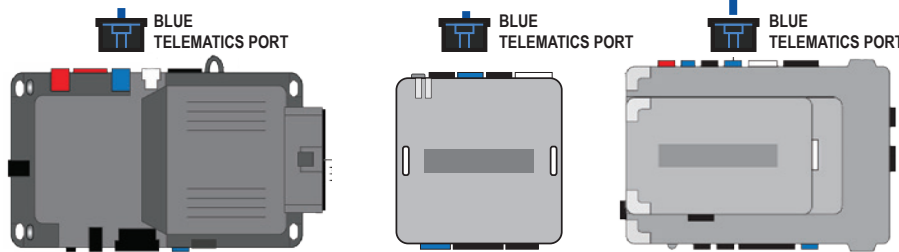
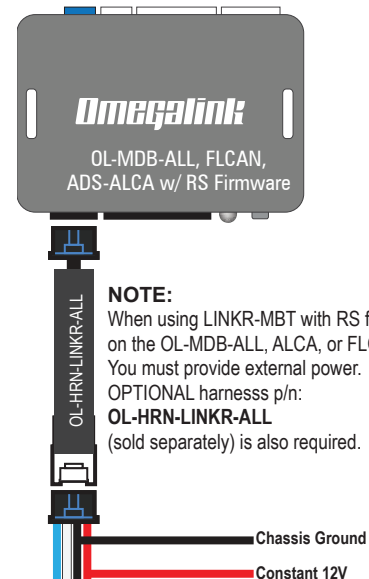
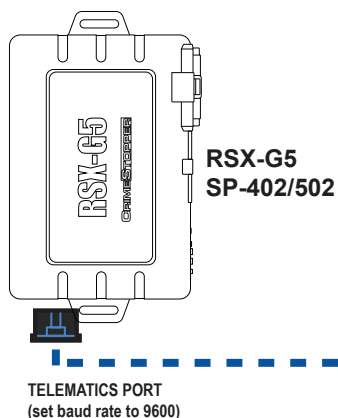
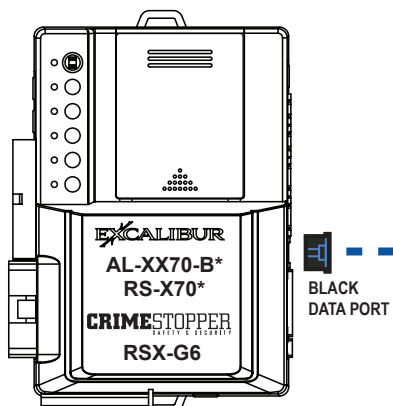
LINKR-MBT CONNECTIONS GUIDE

LINK-MBT Module Positioning:

Place at least 3" away from any metal surface and as high as possible for best Bluetooth operation. Max range is dependant on direct line of sight connection to the phone.



***IMPORTANT:** 70 series units must have v1.6 (or higher) firmware for full functionality. Connect remote start to weblink desktop to update.



ANY OMEGALINK 'OL-RS' DATA START
OR FLASHLOGIC 'FLRS' DATA START

For compatibility, operation, setup, & troubleshooting visit: www.LinkrMobile.com

